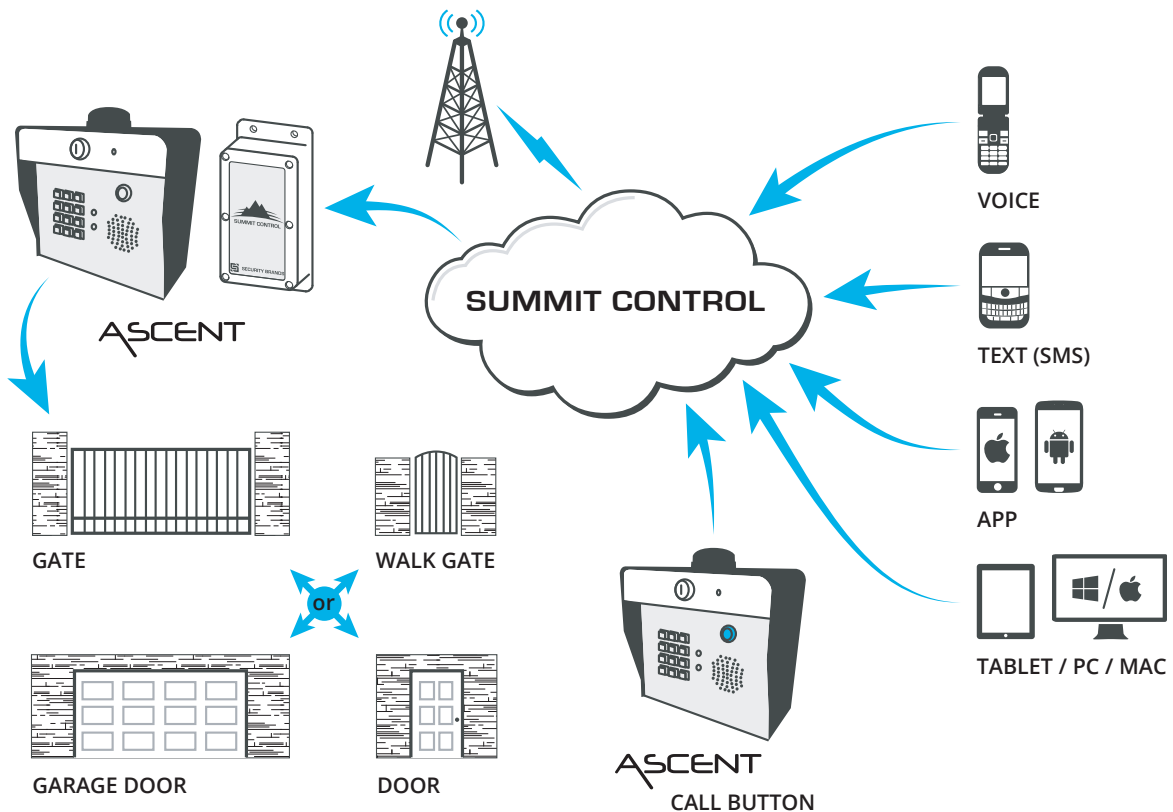
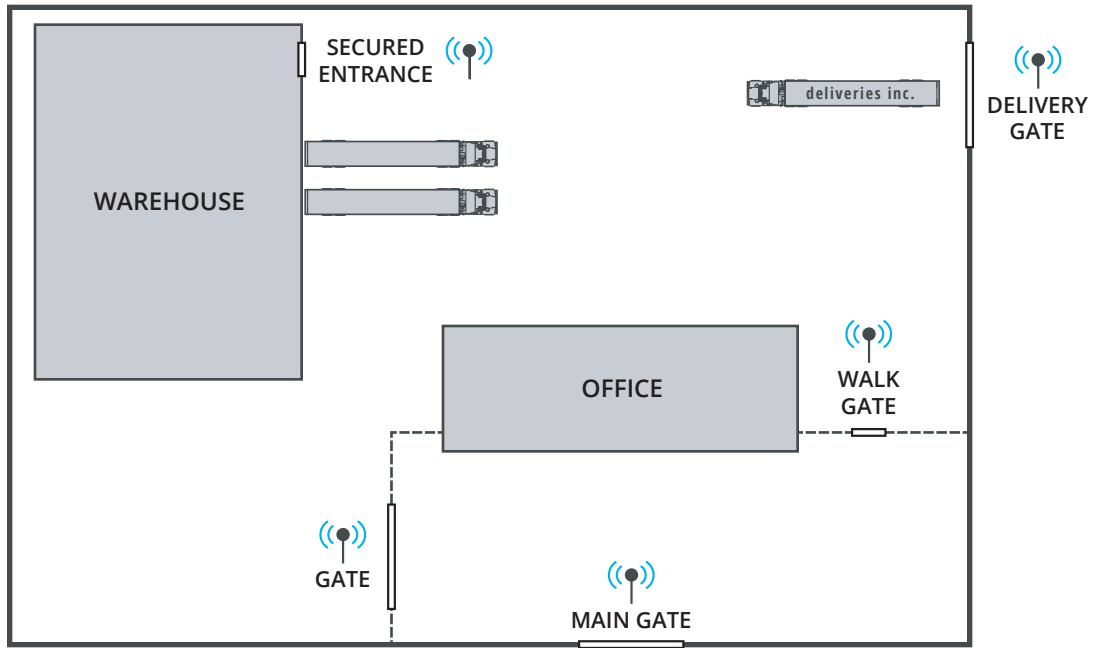


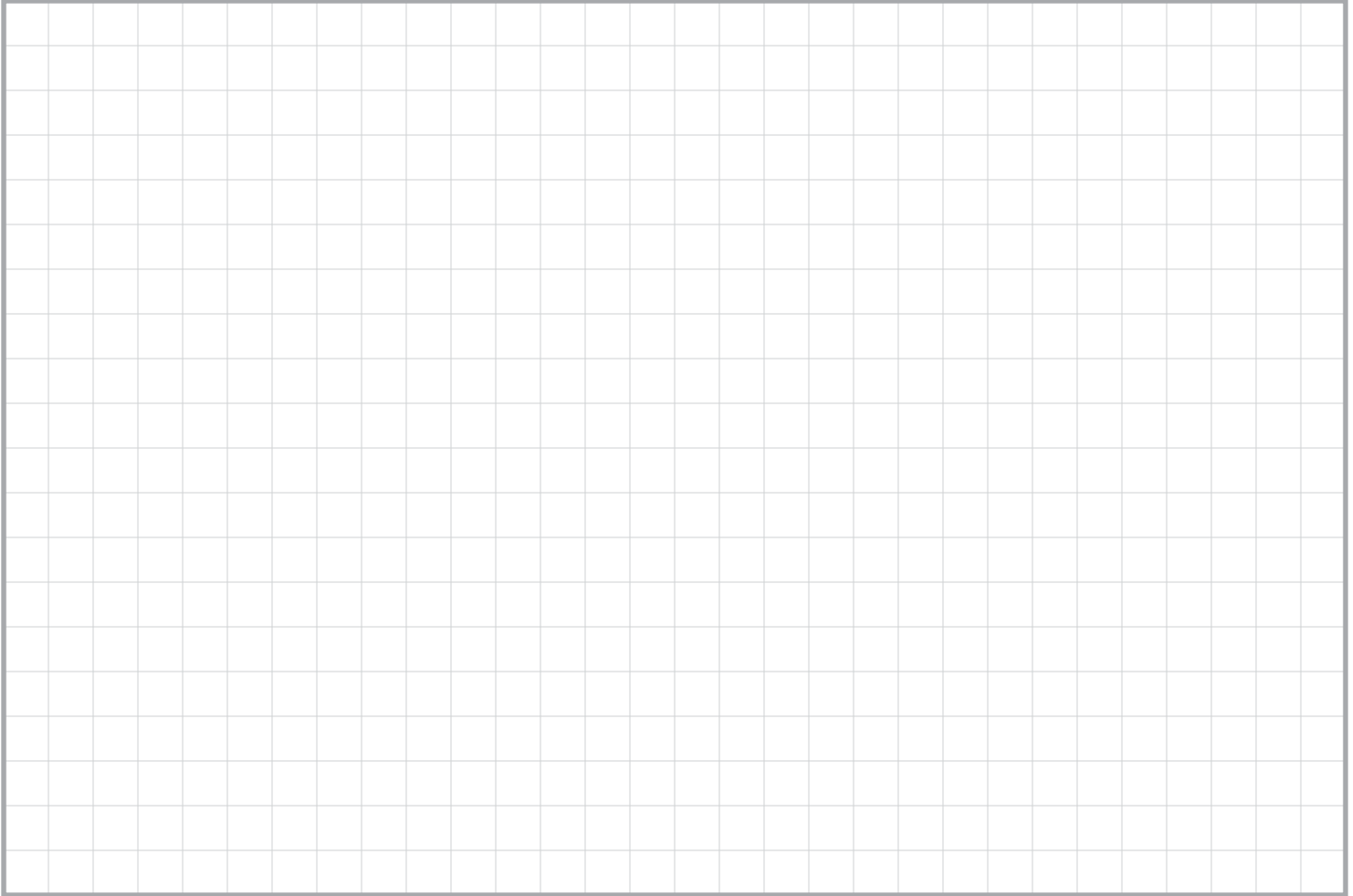
PLANNING SHEET

Commercial

EXAMPLE - BUSINESS COMPLEX



Project Sketch



Project Quantities

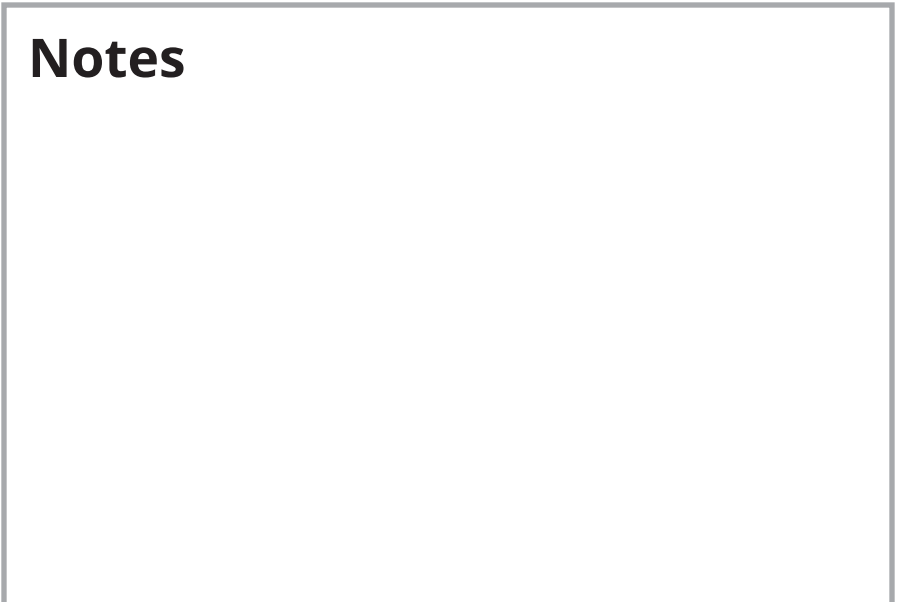


Ascent X¹ _____



Ascent C¹ _____

Notes



Now e-mail us at info@summitcontrol.com or call (844) 259-8265 !