

ASCENT C¹ QUICK START GUIDE



1 Carefully unpack box.

2 Remove screws and cover of unit for access to internal components.

! IMPORTANT!

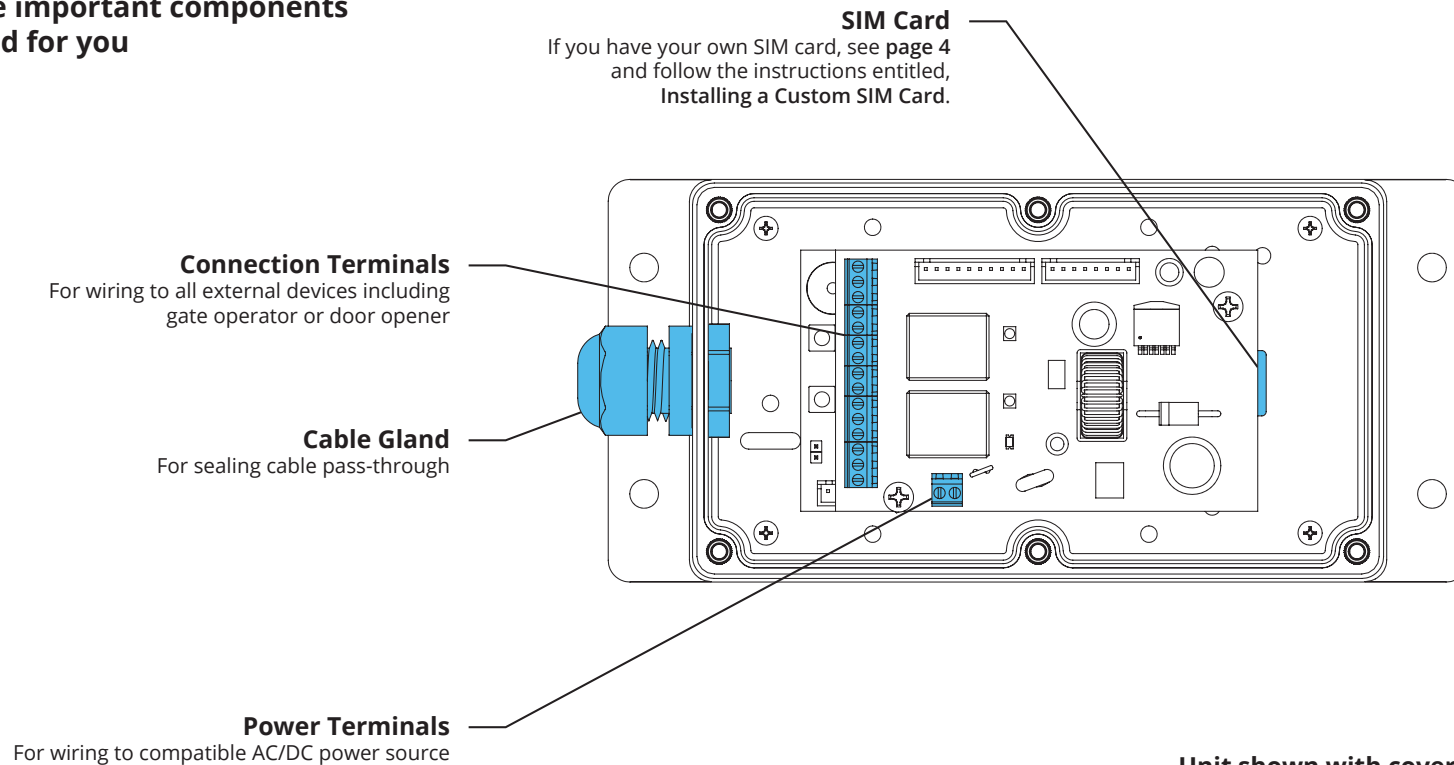
We recommend mounting Ascent C1 inside the gate operator or other weatherproof enclosure when possible.

If mounting inside a metal enclosure, the **Ascent 10' Cable Extension (p/n 16-X-EXT)** is required. Follow the instructions included with the cable extension before moving on. **Failure to do so may result in no signal!**

Continued on next page...

What's what?

All the important components labeled for you



Unit shown with cover removed. Internal wiring and antenna not shown for clarity.

! IMPORTANT!

Ascent **WILL NOT WORK** until the activation process is **COMPLETE!**

Follow the **Activation Guide** or call **Summit Control at (844) 259-8265** to activate your unit.

! WARNING!

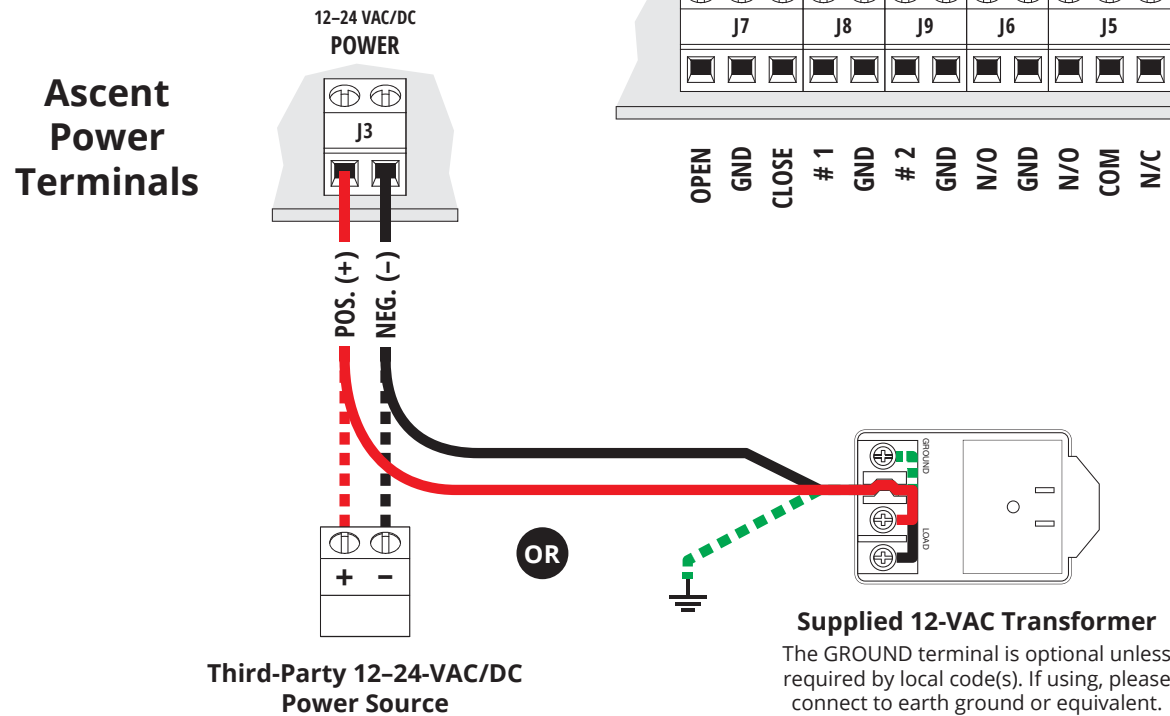
AUTOMATIC GATES CAN CAUSE SERIOUS INJURY OR DEATH!

ALWAYS CHECK that the **GATE PATH IS CLEAR BEFORE OPERATING!**

Reversing or other safety devices should **ALWAYS BE USED!**

3 Connect wires

Feed wires through back of unit and connect as shown.



CAUTION!

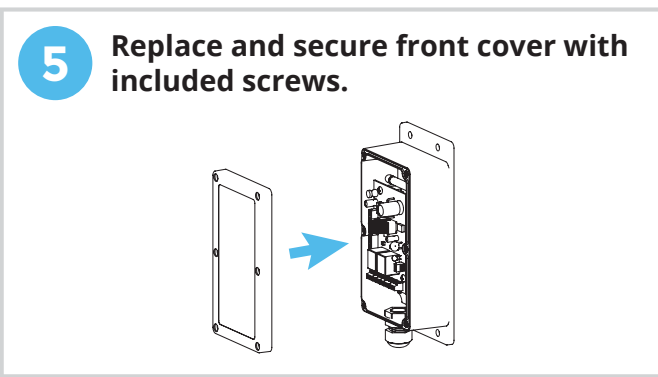
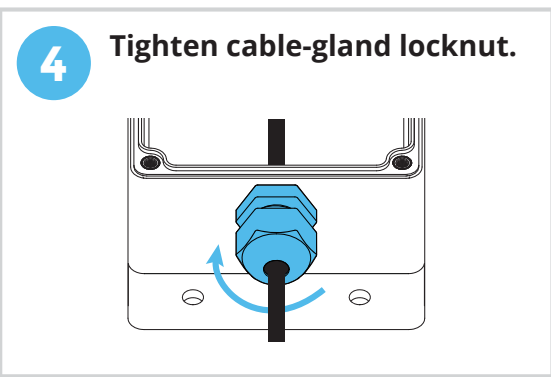
If you will not be using the supplied 12-VAC transformer, please go to **page 4** and follow the procedure, **Using a Third-Party Power Source**.

Do not exceed 24 VAC/DC! Failure to choose a compatible power source can damage unit!

STOP!

Before proceeding, double check that wiring is correct and unit has power!

For additional wiring options, see **page 3**.



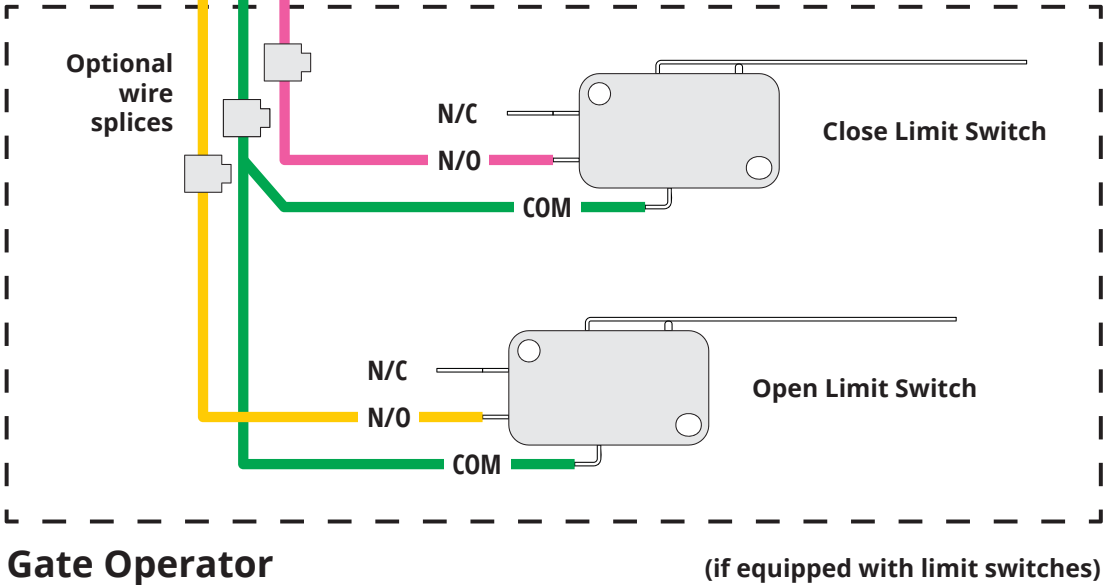
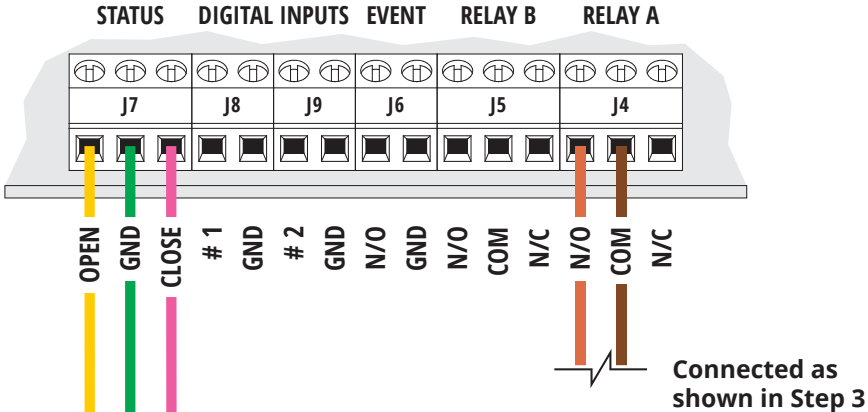
INSTALLATION COMPLETE!

Now follow the **Activation Guide** to create an account and begin using Ascent.

A Status Check

Wiring to enable Gate Status Check

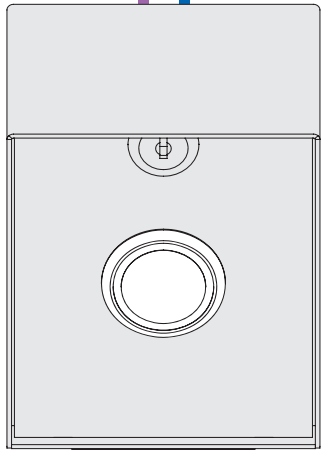
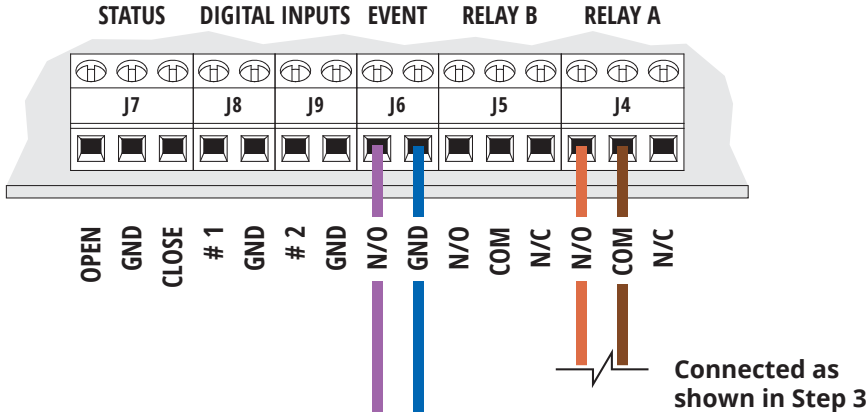
Ascent Connection Terminals



B Event Input

Wiring for accessories such as a request-to-exit device

Ascent Connection Terminals



Request-to-Exit
(Summit Access Control S-RTE-P is shown)

Using a Third-Party Power Source (Optional)

IMPORTANT!

If you would like to use a third-party power source, such as solar, verify that it conforms to the following specs:

Input	12–24 VAC/DC no more than 10% under or over
Current Draw	less than 90 mA @ 12 VDC less than 60 mA @ 24 VDC

3a Connect wires to unit as shown in Step 3.

3b Connect wires to your power source, making sure you connect positive to positive and negative to negative.

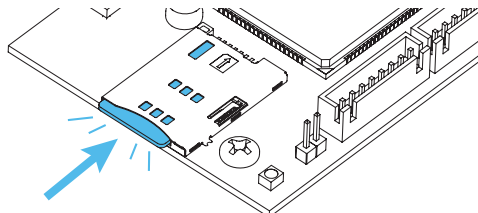
CAUTION!

Double check that you've wired from positive on Ascent to positive on your power source and negative on Ascent to negative on your power source.

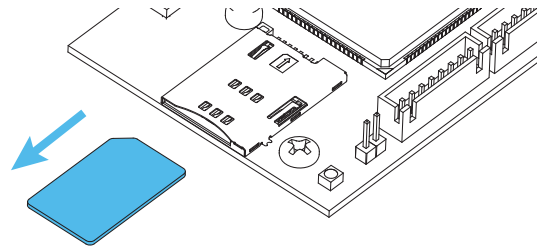
Reverse polarity can damage Ascent!

Installing a Custom SIM Card (Optional)

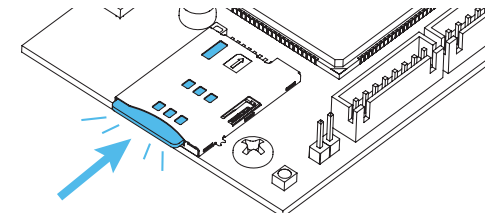
1 Push existing SIM card in until it unlocks with "click" sound.



2 Remove existing SIM card and locate new SIM card.



3 Insert new SIM card until it locks in place with "click" sound.



NEED HELP

Call us at (844) 259-8265
or visit summitcontrol.com/contact
We are available **Mon–Fri / 8am–5pm Central.**