

# ASCENT T<sup>1</sup> QUICK START GUIDE



**1** Carefully unpack box.

**2** Unlock and open front panel of unit for access to internal components.

**! IMPORTANT!**

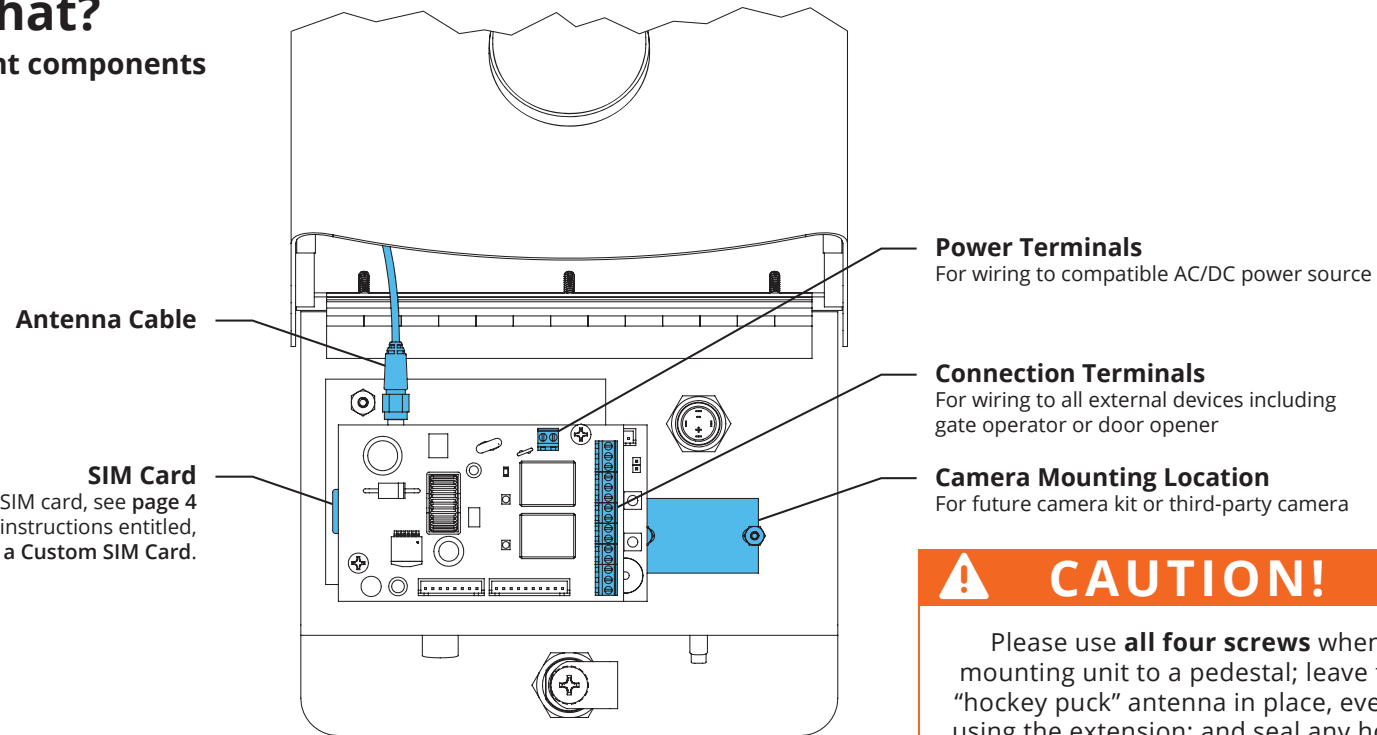
We recommend mounting Ascent on a gooseneck pedestal with the included hardware.

If using alternate mounting, the optional **Ascent 10' Cable Extension (p/n 16-X-EXT)** should be purchased. Follow the instructions included with the extension before moving on. **Failure to do so may result in no signal!**

Continued on next page...

## What's what?

All the important components labeled for you



Unit shown with front panel fully open. Internal wiring not shown for clarity.

**! CAUTION!**

Please use **all four screws** when mounting unit to a pedestal; leave the "hockey puck" antenna in place, even if using the extension; and seal any holes or gaps created in the enclosure.

**Failure to follow these instructions can result in damage to the unit!**

**! IMPORTANT!**

Ascent **WILL NOT WORK** until the activation process is **COMPLETE!**

Follow the **Activation Guide** or call **Summit Control at (844) 259-8265** to activate your unit.

**! WARNING!**

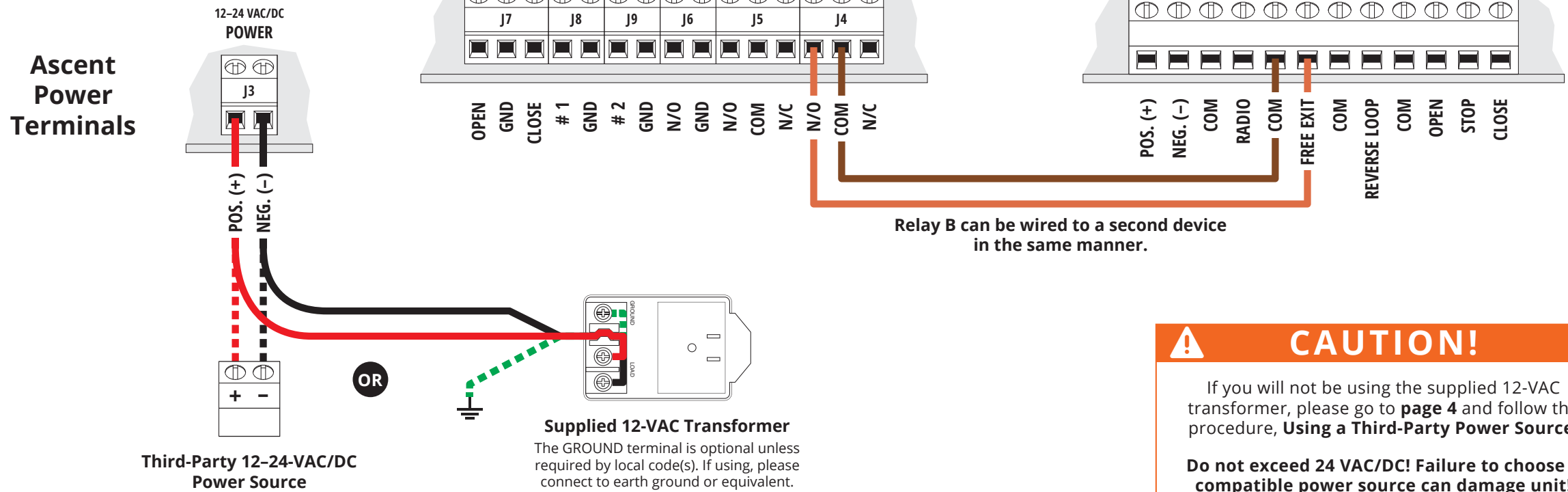
**AUTOMATIC GATES CAN CAUSE SERIOUS INJURY OR DEATH!**

**ALWAYS CHECK** that the **GATE PATH IS CLEAR BEFORE OPERATING!**

Reversing or other safety devices should **ALWAYS BE USED!**

## 3 Connect wires

Feed wires through back of unit and connect as shown.



**CAUTION!**

If you will not be using the supplied 12-VAC transformer, please go to **page 4** and follow the procedure, **Using a Third-Party Power Source**.

**Do not exceed 24 VAC/DC! Failure to choose a compatible power source can damage unit!**

**STOP!**

Before proceeding, double check that wiring is correct and unit has power!

For additional wiring options, see **page 3**.

**4** Close and lock front panel.

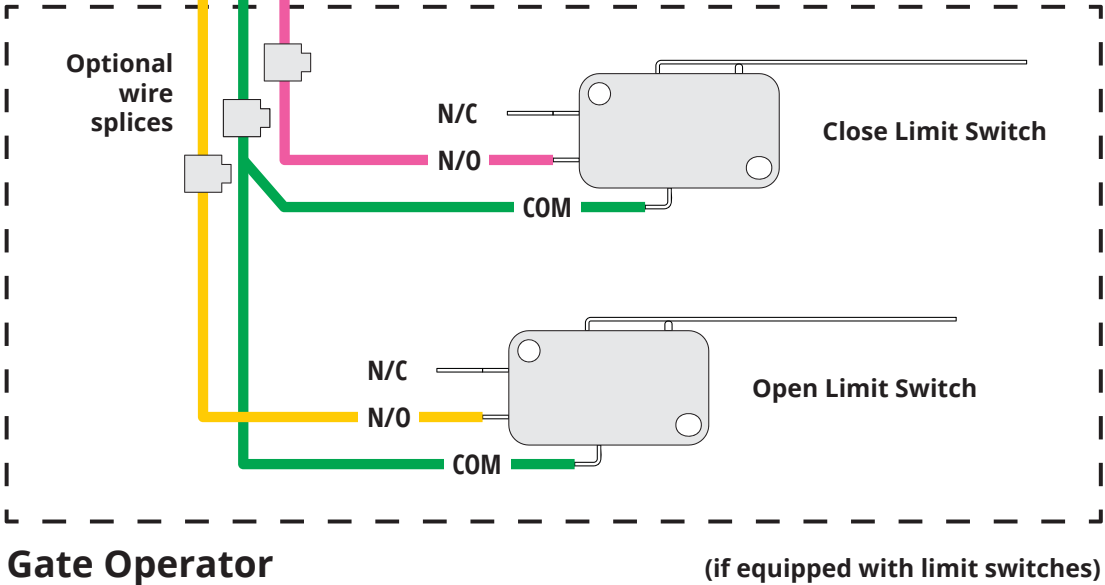
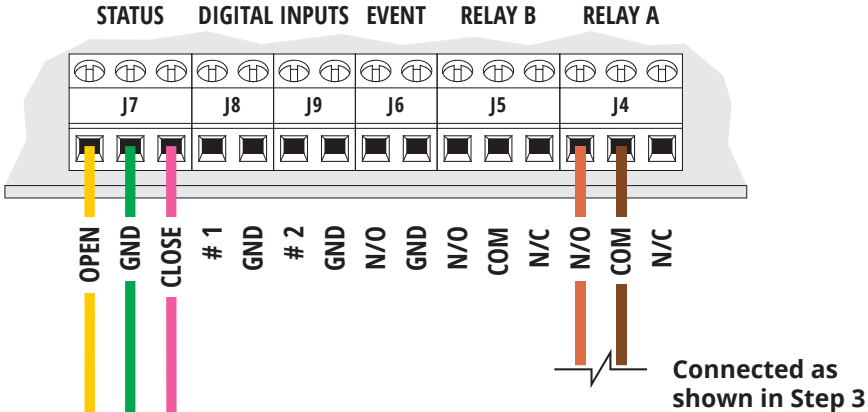
**INSTALLATION COMPLETE!**

Now follow the **Activation Guide** to create an account and begin using Ascent.

## A Status Check

Wiring to enable Gate Status Check

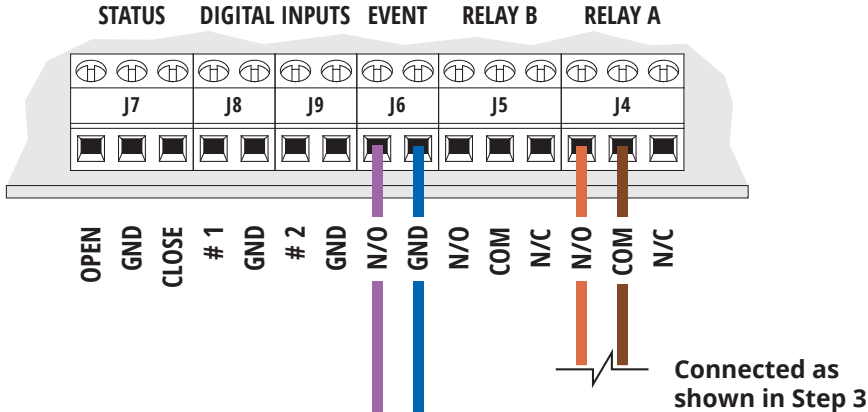
### Ascent Connection Terminals



## B Event Input

Wiring for accessories such as a request-to-exit device

### Ascent Connection Terminals



## Using a Third-Party Power Source (Optional)

**IMPORTANT!**

If you would like to use a third-party power source, such as solar, verify that it conforms to the following specs:

|                     |  |
|---------------------|--|
| <b>Input</b>        | 12–24 VAC/DC<br>no more than 10% under or over       |
| <b>Current Draw</b> | less than 90 mA @ 12 VDC<br>less than 60 mA @ 24 VDC |

**3a** Connect wires to unit as shown in Step 3.

**3b** Connect wires to your power source, making sure you connect positive to positive and negative to negative.

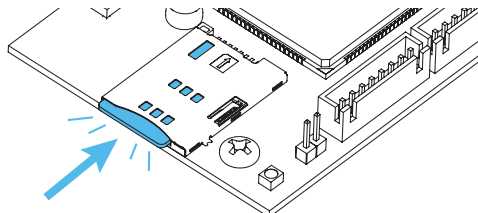
**CAUTION!**

Double check that you've wired from positive on Ascent to positive on your power source and negative on Ascent to negative on your power source.

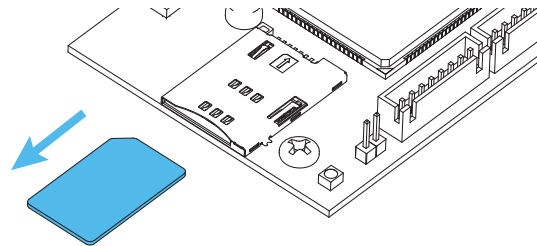
**Reverse polarity can damage Ascent!**

## Installing a Custom SIM Card (Optional)

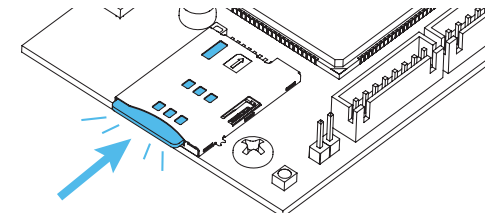
**1** Push existing SIM card in until it unlocks with "click" sound.



**2** Remove existing SIM card and locate new SIM card.



**3** Insert new SIM card until it locks in place with "click" sound.



## NEED HELP

Call us at (844) 259-8265  
or visit [summitcontrol.com/contact](http://summitcontrol.com/contact)  
We are available **Mon–Fri / 8am–5pm Central.**